

# ASSEMBLY INSTRUCTION

A



M6x40 x4

B



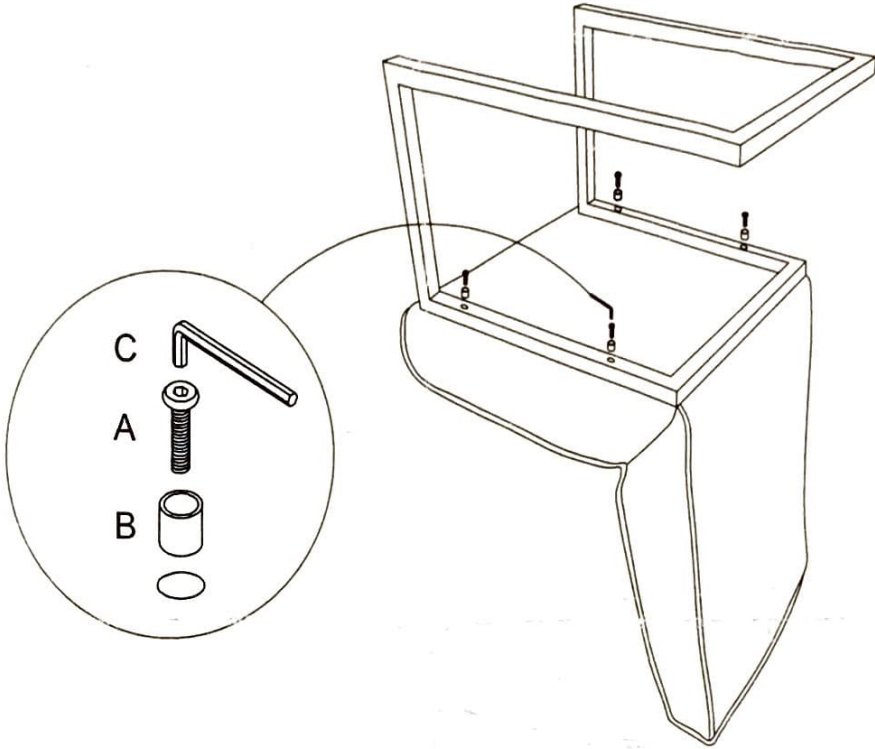
x4

C



x1

## STEP 1



## STEP 2

